

8" TFT LCD Color Monitor



Black and White
Optional weighted swivel
base available



VESA Wall Mounting
Optional mounting brackets
conform to 75 x 75mm VESA
standard.



Tilt Base (0°~90°)
(Included)



Mounting Base
Base can be mounted to desktop,
Point of Sale system frame or wall.

**Power Switch /
Auto Adjustment**
One button auto
adjustment.



Features:

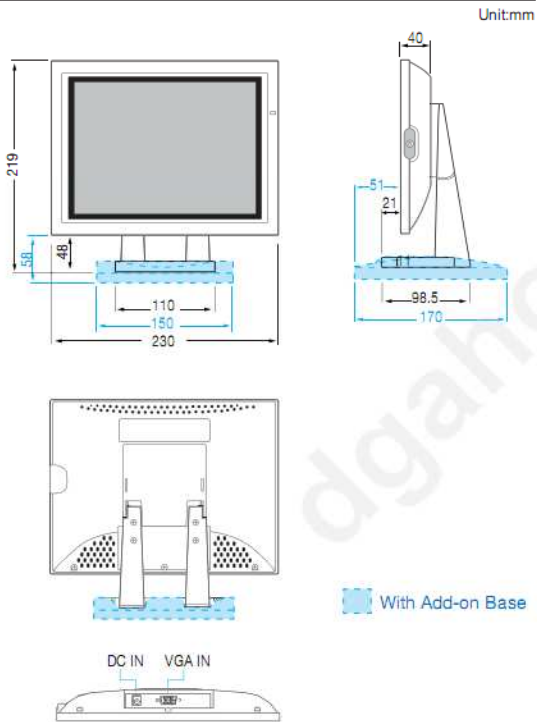
- Super compact size and slim design
- Full 8.0" viewing display crisp image
- On screen display easy to use
- Base wall mountable with tilt 90° adjustment
- Add-on base for stability
- Ideal solution for POS and Customer Display Application





8" TFT LCD Color Monitor

Dimensions



Specifications

| Stock Number | | 2090 (Black) 2091 (White) | 2001 (Black) |
|---------------|---------------------|--|----------------------------|
| Panel | Viewing Area | 8.0" | |
| | Resolution | 800 x 600 SVGA | |
| | Color | 262,144 | |
| | Viewing Angle | H: 50°, V: 65°, R65°, L65° | H: 50°, V: 65°, R65°, L65° |
| | Response Time Tr/Tf | 12/18 ms | 10/15 ms |
| | Contrast Ratio | 400:1 | 500:1 |
| Video Input | Brightness | 200 cd/m ² | 350 cd/m ² |
| | VGA Signal | R/G/B Analog VGA | |
| Control | Scan Frequencies | H: 40KHz V: 60~75Hz | |
| | Power | On / Off with LED Indicator | |
| Power Adaptor | Input | Universal AC 100 ~ 240 V, 50 / 60 Hz | |
| | Output | DC +12 V | |
| Power | Management | VESA DPMS Standard | |
| | Consumption | 15W / 1W | |
| Environment | Temperature | 0°C ~ 60°C | |
| | Humidity | 10% ~ 82% | |
| Weight | | 1.1kg | |
| Safety & EMI | | FCC, CE(CB), CCC, BSMI, UL/cUL | |
| Applications | | POS, Banking, ATM, IPC, TML, Web IA, Mini PC, ...etc | |
| Optional | | | |
| | Cabinet Color | White or Black | Black |

Options



Optional Add-On Weighted Base
Swivel 56°



Specifications subject to change without notice. 2008.04



DGA Houston
AN ACQUISCAN LLC COMPANY
7320 Ashcroft Dr Ste 213
Houston TX 77081-6336

Phone: 713-772-9988
Fax: 713-772-9992
www.dgahouston.com
dga@dgahouston.com